



### MRS93-12BB



**MRS Series Rocker, Non-lighted subminiature rectangle housing, SPDT, 3 position, Quick-connect, Snap-in panel**

*Actual product appearance may vary.*

#### Features

- Expected electrical life 50,000 cycles momentary; 100,000 cycles maintained
- Expected mechanical life 100,000 cycles
- UL recognized, CSA certified
- One-pole circuitry
- Operating temperature 0 °C to 85 °C [32 °F to 185 °F]

#### Potential Applications

- Appliance industry
- Power supplies
- Audio-visual
- Telecom

#### Description

MICRO SWITCH™ miniature and subminiature rocker switches offer a variety of aesthetic and functional options ranging from circuit configurations to ac and dc ratings. They feature industry-standard dimensions, an easy snap-in mounting method, and offer one- or two-pole switches in numerous single throw and double throw maintained and momentary circuits.

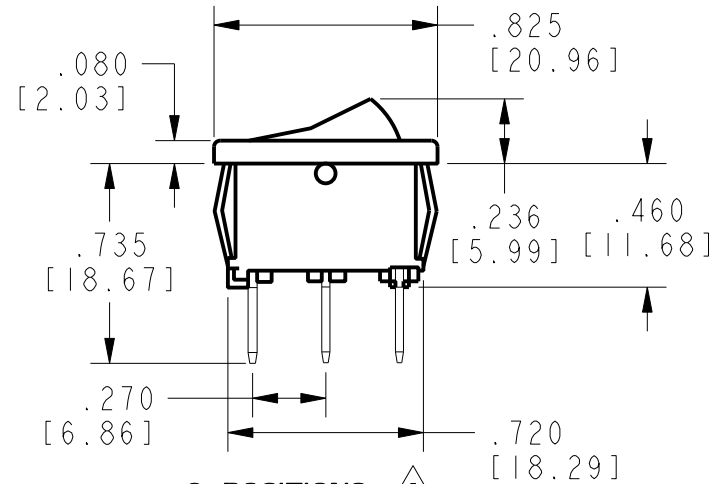
Product Specifications																																																	
Circuitry/ Operating action	<p>CIRCUITRY / RATING (SEE TABLES)</p> <p>MRS XX - X X X X</p> <p>1 1 2 3 4 5 6 7 8</p> <table border="1"> <thead> <tr> <th rowspan="2"></th> <th colspan="3">CIRCUIT MADE WITH ROCKER IN</th> <th rowspan="2">ELECTRICAL RATING</th> </tr> <tr> <th>POSITION 3 (1&amp;2)</th> <th>POSITION 2</th> <th>POSITION 1 (2&amp;3)</th> </tr> </thead> <tbody> <tr> <td>1</td> <td>ON</td> <td>OFF</td> <td>ON</td> <td>2</td> </tr> <tr> <td>2</td> <td>OFF</td> <td>NONE</td> <td>ON</td> <td>1</td> </tr> <tr> <td>3</td> <td>ON</td> <td>NONE</td> <td>ON</td> <td>1</td> </tr> <tr> <td>4</td> <td>(OFF)</td> <td>NONE</td> <td>ON</td> <td>3</td> </tr> <tr> <td>5</td> <td>(ON)</td> <td>OFF</td> <td>ON</td> <td>2</td> </tr> <tr> <td>6</td> <td>OFF</td> <td>NONE</td> <td>(ON)</td> <td>3</td> </tr> <tr> <td>7</td> <td>(ON)</td> <td>OFF</td> <td>(ON)</td> <td>2</td> </tr> <tr> <td>8</td> <td>(ON)</td> <td>NONE</td> <td>ON</td> <td>3</td> </tr> </tbody> </table>		CIRCUIT MADE WITH ROCKER IN			ELECTRICAL RATING	POSITION 3 (1&2)	POSITION 2	POSITION 1 (2&3)	1	ON	OFF	ON	2	2	OFF	NONE	ON	1	3	ON	NONE	ON	1	4	(OFF)	NONE	ON	3	5	(ON)	OFF	ON	2	6	OFF	NONE	(ON)	3	7	(ON)	OFF	(ON)	2	8	(ON)	NONE	ON	3
	CIRCUIT MADE WITH ROCKER IN			ELECTRICAL RATING																																													
	POSITION 3 (1&2)	POSITION 2	POSITION 1 (2&3)																																														
1	ON	OFF	ON	2																																													
2	OFF	NONE	ON	1																																													
3	ON	NONE	ON	1																																													
4	(OFF)	NONE	ON	3																																													
5	(ON)	OFF	ON	2																																													
6	OFF	NONE	(ON)	3																																													
7	(ON)	OFF	(ON)	2																																													
8	(ON)	NONE	ON	3																																													
Product Type	MICRO SWITCH™ Rocker																																																
Housing Type	Non-Lighted, Rectangle																																																
Contact Type	Snap action																																																

Circuitry	SPDT
Action	3 position
Mounting	Snap-in Panel
Termination	Quick Connect
Lever Type	Standard
Ampere/ Voltage/ Range (Resistive Load)	• HP at 125 Vac to 250 Vac,10 A at 125 Vac,10 A at 250 Vac
Comment	Non-illuminated Subminiature
Availability	Global
UNSPSC Code	302119
UNSPSC Commodity	302119 Switches and controls and relays
Series Name	MRS

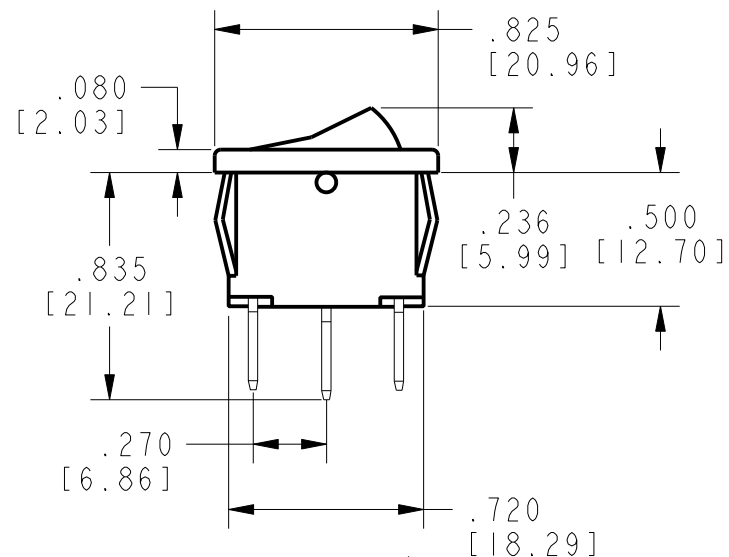
HONEYWELL  
PART NUMBER



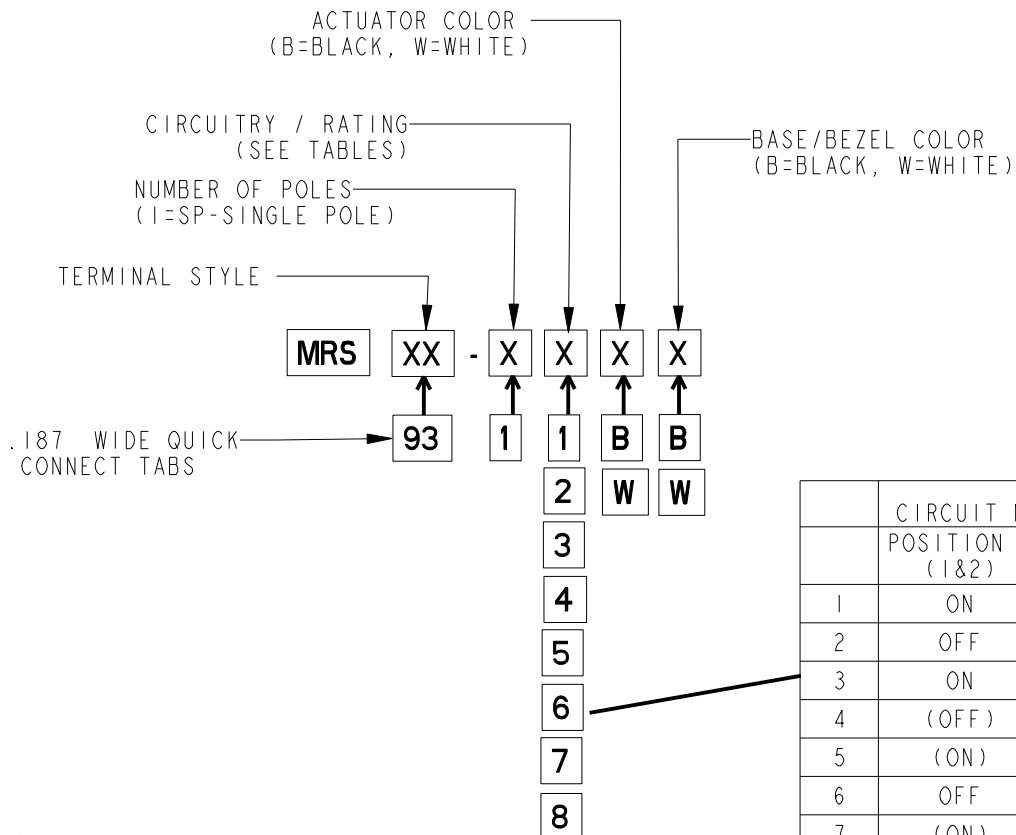
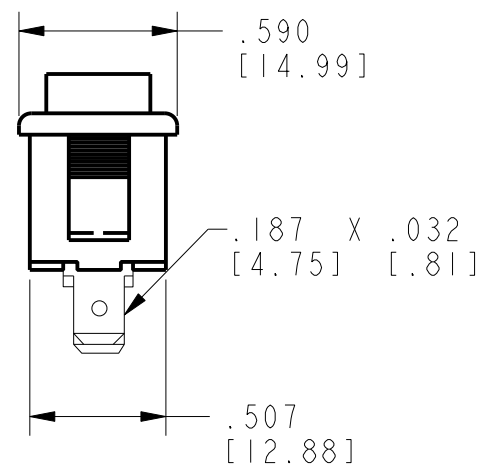
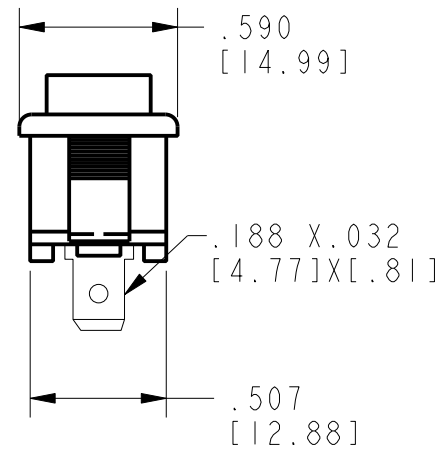
REV	DOCUMENT	CHANGED BY	CHECK
A	0016263	KSR 27OCT05	RJ



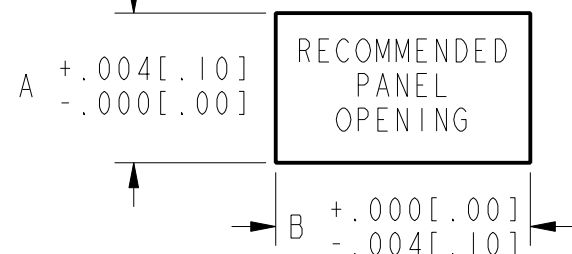
2 POSITIONS



3 POSITIONS



	CIRCUIT MADE WITH ROCKER IN			ELECTRICAL RATING
	POSITION 3 (1&2)	POSITION 2	POSITION 1 (2&3)	
1	ON	OFF	ON	2
2	OFF	NONE	ON	1
3	ON	NONE	ON	1
4	(OFF)	NONE	ON	3
5	(ON)	OFF	ON	2
6	OFF	NONE	(ON)	3
7	(ON)	OFF	(ON)	2
8	(ON)	NONE	ON	3



PANEL THICKNESS	A	B
.030 [.76] - .050 [1.27]	.508 [12.90]	.756 [19.20]
.050 [1.27] - .078 [1.98]	.508 [12.90]	.764 [19.40]
.078 [1.98] - .125 [3.17]	.508 [12.90]	.780 [19.81]

ELECTRICAL RATINGS		
1	10A, 125VAC 10A, 250VAC 1/4HP, 125-250VAC	UL CSA
2	8A, 125-250VAC 1/4HP, 125-250VAC	
3	12A, 125VAC 6A, 250VAC 1/4HP, 125-250VAC	

- 1 - OPERATING TEMPERATURE RANGE : 32°F TO 185°F
- 2 - ELECTRICAL LIFE : 50,000 CYCLES MOMENTARY.  
100,000 CYCLES MAINTAINED.
- 3 - MECHANICAL LIFE : 100,000 CYCLES
- SEE DIAGRAM FOR CATALOGING SCHEME
- CATALOG LISTINGS WITH CIRCUITRY OF "NONE" FOR POSITION 2
- CATALOG LISTINGS WITH CIRCUITRY OF "OFF" FOR POSITION 2
- PARENTHESES DENOTE MOMENTARY ACTION

DESIGN UNITS: INCH	DRAWN	NM	15 JUN 05
TOLERANCES UNLESS NOTED:	CHECK	RJ	27OCT05
NO PLACE X ± 0.040	THIS DRAWING COVERS A PROPRIETARY ITEM AND IS THE PROPERTY OF HONEYWELL. THIS DRAWING IS NOT TO BE COPIED OR USED WITHOUT THE PERMISSION OF HONEYWELL.		TITLE
ONE PLACE .X ± 0.030	INTERPRET PER ASME Y14.5M-1994 OTHER HONEYWELL ENGINEERING STANDARDS MAY APPLY		
TWO PLACE .XX ± 0.015	Pro/ENGINEER 2D		SIZE
THREE PLACE .XXX ± 0.015			TYPE
FOUR PLACE .XXXX ± 0.0005			DRAWING NAME
ANGLES X ± 2			REV

THIRD ANGLE PROJECTION

<b>Honeywell</b>			
<b>SWITCH , ROCKER</b>			
B	I	MRS SERIES CHART 1	A
SCALE	-	SHEET	1 OF 1